

Automatic booster set with variable speed for water supply

Applications

Automatic pumping of clean water for domestic, industrial, agricultural and gardening purposes.
Adjustable working pressure.

Materials

Multi and VE:

Pump body and impellers in AISI 304.
Pump shaft in AISI 420.
Diffusers in technopolymer.
Suction and discharge in cast iron with cathaphoresis coating.
Mechanical seal.
Motor casing in aluminum.
O-rings in NBR/EPDM.

Multi VS:

Pump body, suction, discharge, diffusers and impellers in AISI 304.
Mechanical seal.
Motor casing in aluminum.
O-rings in FPM.

Manifolds: AISI 304.

Valves and fittings: Brass.

Motor

Asynchronous 2 poles.
IPX5 protection.
Class F insulation.
Continuous operation.

Range of use

Maximum water temperature:
CKE with Multi and VE 40 °C.
CKE with Multi VS 120 °C.

Functions and protections

Dry-run protection with automatic reset function.
Detection of pressure transducer failure.
Overcurrent and short-circuit with automatic reset.
Power supply voltage with automatic reset.
Internal overtemperature with automatic reset.
Earthing and motor phase error.
Communication error.

Operation

Variable speed to maintain the constant pressure and flow that apartment, building or installation demands at every moment.



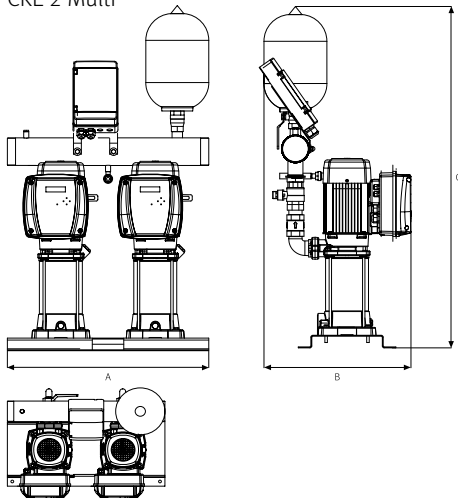
Equipment included

Pump (x2).
Speedrive V2 (x2).
Discharge manifold.
Model ASP with suction manifold.
Control panel.
Valves.
Fittings.
Check valves.
Pressure tank (20l).
Pressure transducer.
Metallic base.

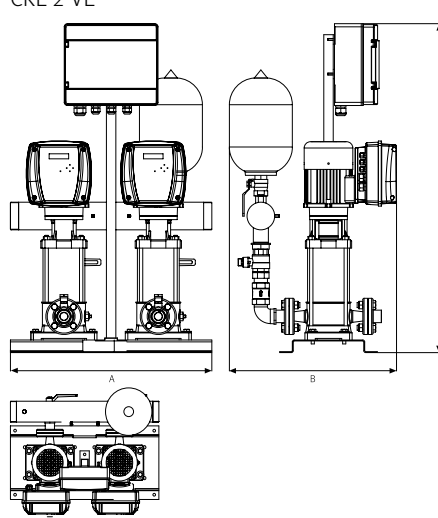
Complete set	Plug&Play	Ultra-quiet
Constant pressure	Maximum hydraulic comfort	Residential, commercial and agricultural use



CKE 2 Multi



CKE 2 VE



Features table, dimension and weight

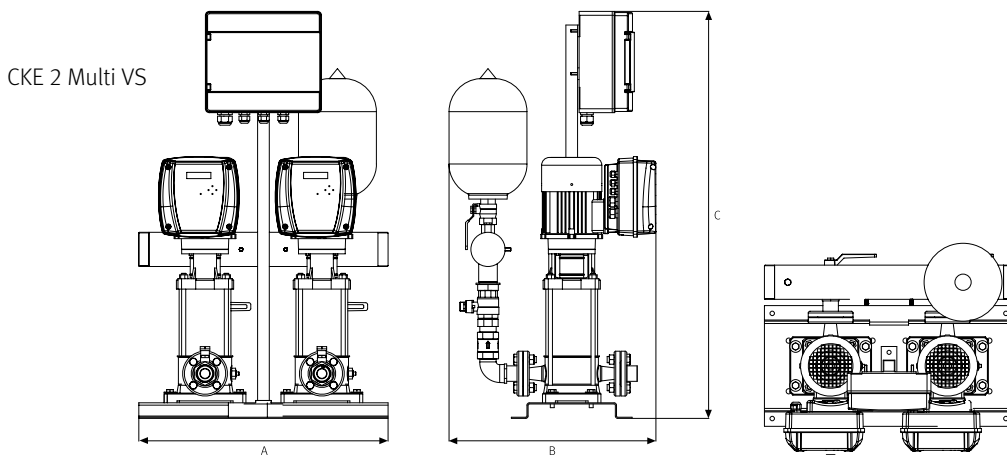
Model	Maximum head [m]	Maximum flow [m ³ /h]	P2 [kW]	Speeddrive V2	Ø Pump		Ø Manifold	Dimensions			Weight [Kg]	Code	
					Suc.	Dis.		A	B	C		1~230V	1~230V (Model ASP)
CKE 2M Multi 25 4	59	10	0,75	M22	1 1/4"	1 1/4"	2"	640	440	975	56	176761	180440
CKE 2M Multi 25 5	74	10	0,92	M22	1 1/4"	1 1/4"	2"	640	440	994	57	176762	180441
CKE 2M Multi 35 4	55	21	1,1	M22	1 1/2"	1 1/4"	2"	640	464	1022	66	176763	180454
CKE 2M Multi 35 5	67	21	1,5	M22	1 1/2"	1 1/4"	2"	640	464	1045	72	176764	180455
CKE 2M Multi 35 6	83	21	2,2	M22	1 1/2"	1 1/4"	2"	640	464	1071	73	205266	216585

Model	Maximum head [m]	Maximum flow [m ³ /h]	P2 [kW]	Speeddrive V2	Ø Pump		Ø Manifold	Dimensions			Weight [Kg]	Code	
					Suc.	Dis.		A	B	C		3~400V	3~400V (Model ASP)
CKE 2 Multi 25 4	59	10	0,75	T22	1 1/4"	1 1/4"	2"	640	440	975	56	176452	180438
CKE 2 Multi 25 5	74	10	0,92	T22	1 1/4"	1 1/4"	2"	640	440	994	57	176744	180439
CKE 2 Multi 35 4	55	21	1,1	T22	1 1/2"	1 1/4"	2"	640	464	1022	66	176753	180456
CKE 2 Multi 35 5	67	21	1,5	T22	1 1/2"	1 1/4"	2"	640	464	1045	72	176754	180457
CKE 2 Multi 35 6	83	21	2,2	T22	1 1/2"	1 1/4"	2"	640	464	1071	73	176755	180458
CKE 2 Multi 35 8	110	21	3	T55	1 1/2"	1 1/4"	2"	640	500	1120	87	176756	180459
CKE 2 Multi 35 10	138	21	4	T55	1 1/2"	1 1/4"	2"	640	500	1170	106	176757	202401
CKE 2 Multi 55 4	51	36	2,2	T22	1 1/2"	1 1/4"	3"	640	500	1127	79	176758	180501
CKE 2 Multi 55 6	79	36	3	T55	1 1/2"	1 1/4"	3"	640	533	1206	97	176759	180502
CKE 2 Multi 55 7	93	36	4	T55	1 1/2"	1 1/4"	3"	640	533	1250	106	176760	180503

Model	Ø Manifold	Ø Valves	Ø Flanges	Code
Suction kit for CKE 2 Multi 25	2"	1 1/4"	1 1/4"	199701
Suction kit for CKE 2 Multi 35	2"	1 1/2"	1 1/2"	199702
Suction kit for CKE 2 Multi 55	3"	1 1/2"	1 1/2"	199703

Model	Maximum head [m]	Maximum flow [m ³ /h]	P2 [kW]	Speeddrive V2	Ø Pump Suc. / Dis.		Ø Manifold	Dimensions			Weight [Kg]	Code	
					A	B		C	3~400V	3~400V (Model ASP)			
CKE 2 VE 121 3	50	54,5	4	T55	50	50	4"	650	550	1147	156	203940	209330
CKE 2 VE 121 5	83	54,5	5,5	T55	50	50	4"	650	550	1295	200	203941	208675

Model	Ø Manifold	Ø Valves	Ø Flanges	Code
Suction kit for CKE 2 VE 121 3	4"	2"	2"	213982
Suction kit for CKE 2 VE 121 5	4"	2"	2"	186696



Features table, dimension and weight

Model	Maximum head [m]	Maximum flow [m ³ /h]	P2 [kW]	Speedrive V2	Ø Pump Suc. / Dis.	Ø Manifold	Dimensions			Weight [Kg]	Code	
							A	B	C		1~230V	1~230V (Model ASP)
CKE 2M Multi VS 05 06	45	15	1,1	M22	25	2"	650	550	915	75	203997	205820
CKE 2M Multi VS 05 09	65	15	1,5	M22	25	2"	650	550	950	80	203998	205821
CKE 2M Multi VS 05 10	75	15	1,5	M22	25	2"	650	550	1000	90	203999	205822
CKE 2M Multi VS 10 04	45	24	1,5	M22	25	3"	650	550	950	80	204001	205824

Model	Maximum head [m]	Maximum flow [m ³ /h]	P2 [kW]	Speedrive V2	Ø Pump Suc. / Dis.	Ø Manifold	Dimensions			Weight [Kg]	Code	
							A	B	C		3~400V	3~400V (Model ASP)
CKE 2 Multi VS 05 06	45	15	1,1	T22	25	2"	650	550	915	75	204007	205830
CKE 2 Multi VS 05 09	65	15	1,5	T22	25	2"	650	550	950	80	204008	205831
CKE 2 Multi VS 05 10	75	15	1,5	T22	25	2"	650	550	1000	90	204009	205832
CKE 2 Multi VS 05 11	80	15	1,5	T22	25	2"	650	550	1100	95	204010	205833
CKE 2 Multi VS 05 12	90	15	2,2	T22	25	2"	650	550	1200	100	204011	205834
CKE 2 Multi VS 05 14	105	15	2,2	T22	25	2"	650	550	1300	120	204012	205835
CKE 2 Multi VS 05 18	135	15	3	T55	25	2"	650	550	1600	150	204013	205836
CKE 2 Multi VS 10 04	45	24	1,5	T22	25	3"	650	550	950	100	204015	205838
CKE 2 Multi VS 10 06	65	24	2,2	T22	25	3"	650	550	1000	110	204016	205839
CKE 2 Multi VS 10 07	75	24	3	T55	25	3"	650	550	1050	120	204017	205840
CKE 2 Multi VS 10 08	90	24	3	T55	25	3"	650	550	1100	130	203976	205841
CKE 2 Multi VS 10 09	100	24	4	T55	25	3"	650	550	1150	140	204019	205842
CKE 2 Multi VS 10 11	120	24	4	T55	25	3"	650	550	1200	150	204020	205843
CKE 2 Multi VS 10 13	145	24	5,5	T55	25	3"	650	550	1200	160	216845	216846
CKE 2 Multi VS 15 03	40	42	3	T55	50	4"	650	550	1050	140	204024	205845
CKE 2 Multi VS 15 05	70	42	4	T55	50	4"	650	550	1100	150	204025	205846
CKE 2 Multi VS 15 06	80	42	5,5	T55	50	4"	650	550	1150	160	204026	205847
CKE 2 Multi VS 15 07	95	42	5,5	T55	50	4"	650	550	1150	170	216847	216848
CKE 2 Multi VS 20 03	40	54	4	T55	50	5"	650	550	700	200	204031	205849
CKE 2 Multi VS 20 05	70	54	5,5	T55	50	5"	650	550	750	210	204032	205850