

## Automatic booster set with variable speed for water supply

### Applications

Automatic pumping of clean water for domestic, industrial, agricultural and gardening purposes.  
Adjustable working pressure.

### Materials

#### Multi and VE:

Pump body and impellers in AISI 304.  
Pump shaft in AISI 420.  
Diffusers in technopolymer.  
Suction and discharge in cast iron with cathaphoresis coating.  
Mechanical seal.  
Motor casing in aluminum.  
O-rings in NBR/EPDM.

#### Multi VS:

Pump body, suction, discharge, diffusers and impellers in AISI 304.  
Mechanical seal.  
Motor casing in aluminum.  
O-rings in FPM.

**Manifolds:** AISI 304.

**Valves and fittings:** Brass.

### Motor

Asynchronous 2 poles.  
IPX5 protection.  
Class F insulation.  
Continuous operation.

### Range of use

Maximum water temperature:  
CKE with Multi and VE 40 °C.  
CKE with Multi VS 120 °C.

### Functions and protections

Dry-run protection with automatic reset function.  
Detection of pressure transducer failure.  
Overcurrent and short-circuit with automatic reset.  
Power supply voltage with automatic reset.  
Internal overtemperature with automatic reset.  
Earthing and motor phase error.  
Communication error.

### Operation

Variable speed to maintain the constant pressure and flow that apartment, building or installation demands at every moment.



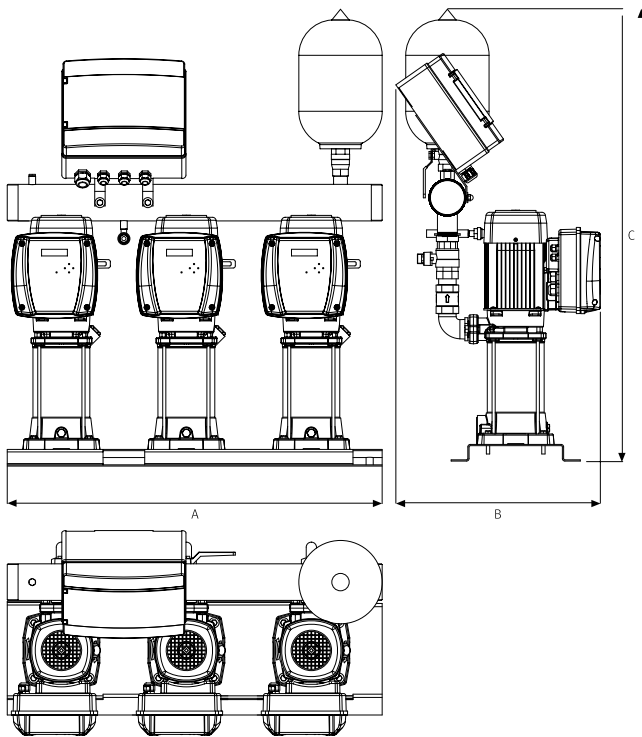
### Equipment included

- Pump (x3).
- Speedrive V2 (x3).
- Discharge manifold.
- Model ASP with suction manifold.
- Control panel.
- Valves.
- Fittings.
- Check valves.
- Pressure tank (20l).
- Pressure transducer.
- Metallic base.

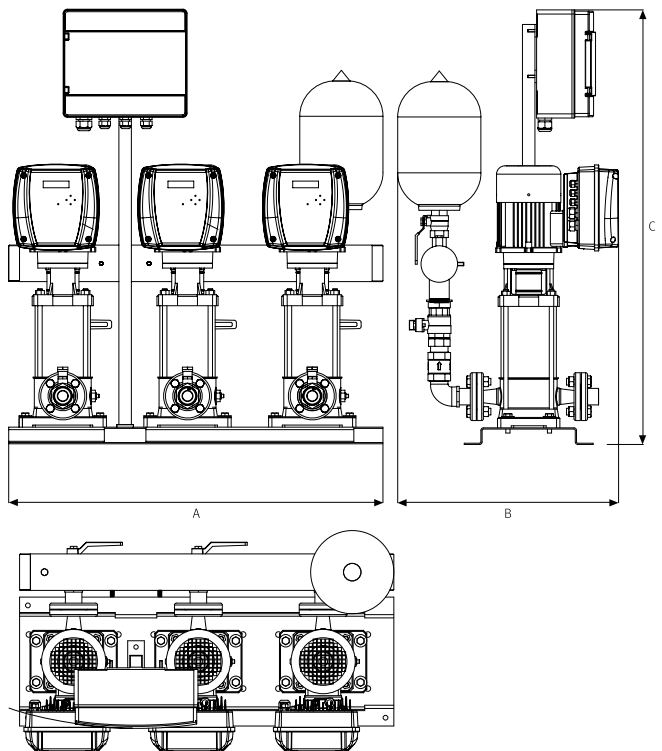
Complete set	Plug&Play	Ultra-quiet
Constant pressure	Maximum hydraulic comfort	Residential, commercial and agricultural use



CKE 3 Multi



CKE 3 VE



## Features table, dimension and weight

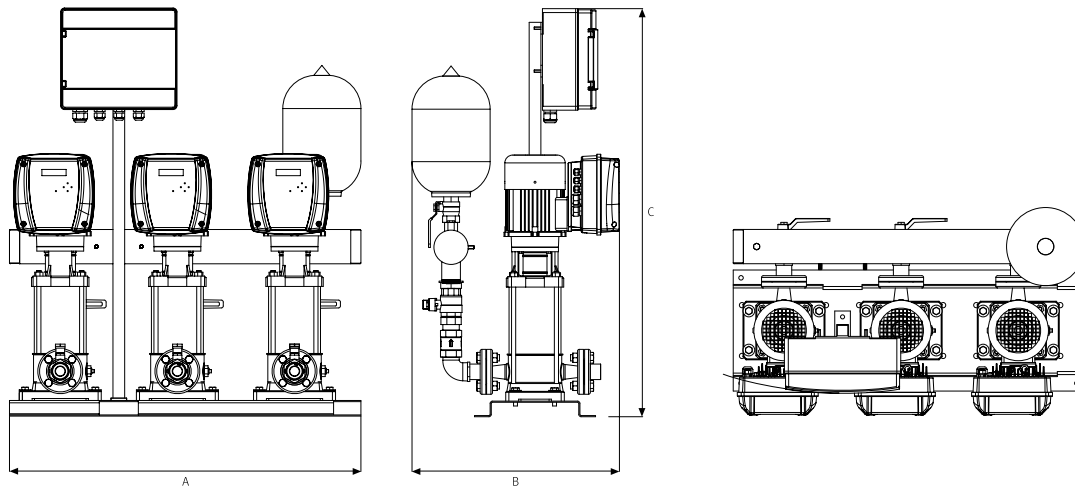
Model	Maximum head [m]	Maximum flow [m <sup>3</sup> /h]	P2 [kW]	Speedrive V2	Ø Pump		Ø Manifold	Dimensions			Weight [kg]	Code	
					Suc.	Dis.		A	B	C		3~400V	3~400V (Model ASP)
CKE 3 Multi 35 4	55	31,5	1,1	T22	1 1/2"	1 1/4"	3"	900	464	1044	99	176742	180475
CKE 3 Multi 35 5	67	31,5	1,5	T22	1 1/2"	1 1/4"	3"	900	464	1067	107	176743	180476
CKE 3 Multi 35 6	83	31,5	2,2	T22	1 1/2"	1 1/4"	3"	900	464	1093	109	176453	180477
CKE 3 Multi 35 8	110	31,5	3	T55	1 1/2"	1 1/4"	3"	900	500	1142	130	176745	180478
CKE 3 Multi 35 10	138	31,5	4	T55	1 1/2"	1 1/4"	3"	900	500	1170	151	176746	180479
CKE 3 Multi 55 4	51	54	2,2	T22	1 1/2"	1 1/4"	3"	900	500	1149	118	176748	180516
CKE 3 Multi 55 6	79	54	3	T55	1 1/2"	1 1/4"	3"	900	533	1228	144	176749	180518
CKE 3 Multi 55 7	93	54	4	T55	1 1/2"	1 1/4"	3"	900	533	1272	157	176750	180519

Model	Ø Manifold	Ø Valves	Ø Flanges	Code
Suction kit for CKE 3 Multi 35 and Multi 55	3"	1 1/2"	1 1/2"	205223

Model	Maximum head [m]	Maximum flow [m <sup>3</sup> /h]	P2 [kW]	Speedrive V2	Ø Pump Suc. / Dis.		Ø Manifold	Dimensions			Weight [kg]	Code	
					A	B		C	3~400V	3~400V (Model ASP)			
CKE 3 VE 121 3	50	82	4	T55	50	50	4"	900	550	1147	234	203945	216586
CKE 3 VE 121 5	83	82	5,5	T55	50	50	4"	900	550	1295	300	203946	206668

Model	Ø Manifold	Ø Valves	Ø Flanges	Code
Suction kit for CKE 3 VE 121 3	4"	2"	2"	213984
Suction kit for CKE 3 VE 121 5	4"	2"	2"	178038

## CKE 3 Multi VS



### Features table, dimension and weight

Model	Maximum head [m]	Maximum flow [m³/h]	P2 [kW]	Speeddrive V2	Ø Pump Suc. / Dis.	Ø Manifold	Dimensions			Weight [kg]	Code	
							A	B	C		3~400V	3~400V (Model ASP)
CKE 3 Multi VS 05 06	45	22,5	1,1	T22	25	2"	900	550	915	125	204041	205856
CKE 3 Multi VS 05 09	65	22,5	1,5	T22	25	2"	900	550	950	130	204042	205857
CKE 3 Multi VS 05 10	75	22,5	1,5	T22	25	2"	900	550	1000	140	204043	205858
CKE 3 Multi VS 05 11	80	22,5	1,5	T22	25	2"	900	550	1100	145	204044	205859
CKE 3 Multi VS 05 12	90	22,5	2,2	T22	25	2"	900	550	1200	150	204045	205860
CKE 3 Multi VS 05 14	105	22,5	2,2	T22	25	2"	900	550	1300	170	204046	205861
CKE 3 Multi VS 05 18	135	22,5	3	T55	25	2"	900	550	1600	200	204047	205862
CKE 3 Multi VS 10 04	45	36	1,5	T22	25	3"	900	550	950	150	204049	205864
CKE 3 Multi VS 10 06	65	36	2,2	T22	25	3"	900	550	1000	160	204050	205865
CKE 3 Multi VS 10 07	75	36	3	T55	25	3"	900	550	1050	170	204051	205868
CKE 3 Multi VS 10 08	90	36	3	T55	25	3"	900	550	1100	180	204018	205867
CKE 3 Multi VS 10 09	100	36	4	T55	25	3"	900	550	1150	190	204053	205868
CKE 3 Multi VS 10 11	120	36	4	T55	25	3"	900	550	1200	200	204054	205869
CKE 3 Multi VS 10 13	145	36	5,5	T55	25	3"	900	550	1200	210	216849	216850
CKE 3 Multi VS 15 03	40	63	3	T55	50	4"	900	550	1050	190	204058	205871
CKE 3 Multi VS 15 05	70	63	4	T55	50	4"	900	550	1100	200	204059	205872
CKE 3 Multi VS 15 06	80	63	5,5	T55	50	4"	900	550	1150	210	204060	205873
CKE 3 Multi VS 15 07	95	36	5,5	T55	50	4"	900	550	1150	220	216851	216852
CKE 3 Multi VS 20 03	40	81	4	T55	50	5"	900	550	700	250	204065	205875
CKE 3 Multi VS 20 05	70	81	5,5	T55	50	5"	900	550	750	260	204066	205876