

## Centrifugal single stage pump for water recirculation

### Applications

Water recirculation in swimming pools, spas and whirlpools.

### Materials

Pump body, impeller, diffuser, suction and discharge in technopolymer.  
Pump shaft in AISI 431.  
Mechanical seal.  
Motor casing in aluminium.  
O-rings in NBR/EPDM.

### Equipment

No cable.  
Unions included 63mm.

### Motor

Asynchronous 2 poles.  
IPX5 protection.  
Class F insulation.  
Single phase motor with built-in thermal protection.  
Continuous operation.

### Limitations

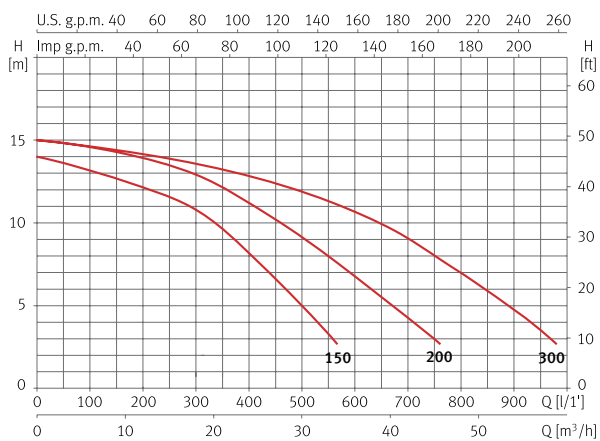
Maximum water temperature 50 °C.



### Features table

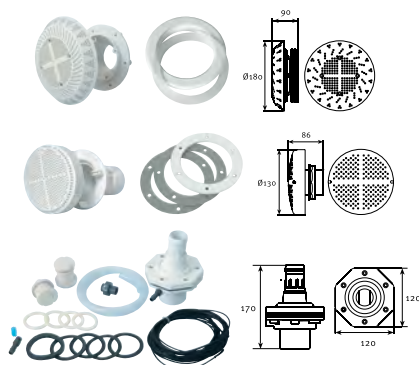
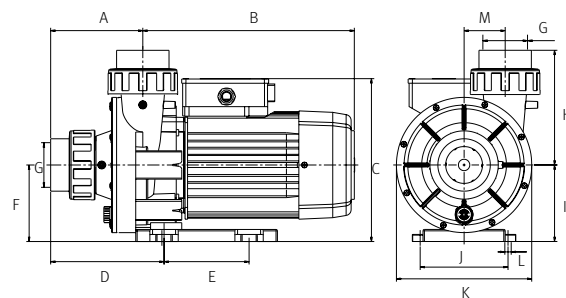
Model	I [A]			P1 [kW]		P2		c [μF]	l/min m³/h	50	100	200	300	400	500	600	900	Code	
	1~230V	3~230V	3~400V	1~	3~	[kW]	[HP]			3,0	6,0	12	18	24	30	36	54	1~230V	3~230V/400V
Wiper 3 150	6,4	5	2,9	1,4	1,1	1,1	1,5	25	mwc	13,3	13	12,1	10,8	8,2	5	-	-	203173	203176
Wiper 3 200	8,8	6,6	3,8	2	1,8	1,5	2	30		14,8	14,5	13,9	12,9	11,1	9,1	6,8	-	203174	203177
Wiper 3 300	11	7,1	4,1	2,5	2,4	2,2	3	60		14,8	14,5	14,1	13,5	12,8	11,9	10,7	4,7	203175	203178

### Performance curve at 2900 rpm



### Dimension and weight

Model	A	B	C	D	E	F	G	H	I	J	K	L	M	Kg
Wiper 3 150	130	299	230	160	120	108	63	162	108	124	191	9	29	14,3
Wiper 3 200	130	299	230	160	120	108	63	162	108	124	191	9	29	17
Wiper 3 300	130	299	230	160	120	108	63	162	108	124	191	9	29	18,8



Accessories	Code
Suction kit for liner pools	130634
Suction kit for concrete pools	130633
Discharge kit for liner and concrete pools	130632
Hose kit 1,5m	104153

