

Centrifugal single stage pump for water stream

Applications

Generation of a strong water stream to transform swimming pools into a place for sport and leisure.
Self-priming up to 4m.

Materials

Pump body, impeller, diffuser, suction and discharge in technopolymer.
Pump shaft in AISI 431.
Mechanical seal.
Motor casing in aluminium.
O-rings in NBR/EPDM.

Equipment

No cable.
Unions not included.

Motor

Asynchronous 2 poles.
IPX5 protection.
Class F insulation.
Single phase motor with built-in thermal protection.
Continuous operation.

Limitations

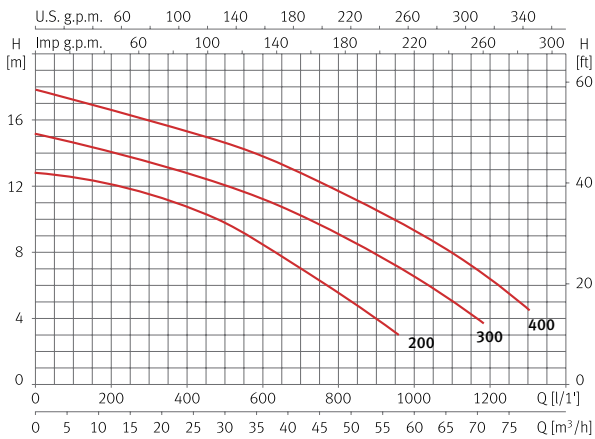
Maximum water temperature 40 °C.



Features table

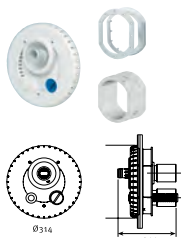
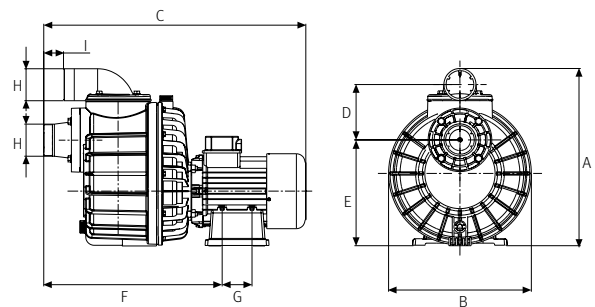
Model	I [A]			P1 [kW]		P2		c [μF]	l/ min	100	200	400	600	800	1000	1200	1300	Code	
	1~230V	3~230V	3~400V	1~	3~	[kW]	[HP]			m³/h	6,0	12	24	36	48	60	72	78	1~230V
Nadorself 200	10,2	7	4,1	2,2	2,2	1,5	2	40	mwc	12,9	12,2	10,6	8,5	6	-	-	-	203165	203167
Nadorself 300	13,4	8,6	5	3	3	2,2	3	60		14,6	14	12,8	11,3	9	6,5	-	-	203166	203168
Nadorself 400	-	11,8	6,8	-	3,4	3	4	-		17,2	16,6	15,3	13,8	11,6	9,4	6,3	4,5	-	203169

Performance curve at 2900 rpm

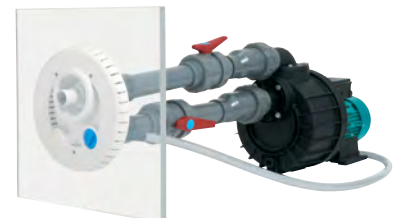


Dimension and weight

Model	A	B	C	D	E	F	G	H	I	Kg
Nadorself 200	416	335	615	130	249	419	70	2 1/2"	47	25,1/23,1
Nadorself 300	416	335	615	130	249	419	70	2 1/2"	47	26,1/25,8
Nadorself 400	416	335	615	130	249	419	70	2 1/2"	47	28



Accessories	Code
Suction and discharge circular kit	128188
Bushing wall kit for liner and concrete pools	146558



Centrifugal single stage pump for water recirculation

Applications

Water recirculation in swimming pools, spas and whirlpools.

Materials

Pump body, impeller, diffuser, suction and discharge in technopolymer.
Pump shaft in AISI 431.
Mechanical seal.
Motor casing in aluminium.
O-rings in NBR/EPDM.

Equipment

No cable.
Unions included 63mm.

Motor

Asynchronous 2 poles.
IPX5 protection.
Class F insulation.
Single phase motor with built-in thermal protection.
Continuous operation.

Limitations

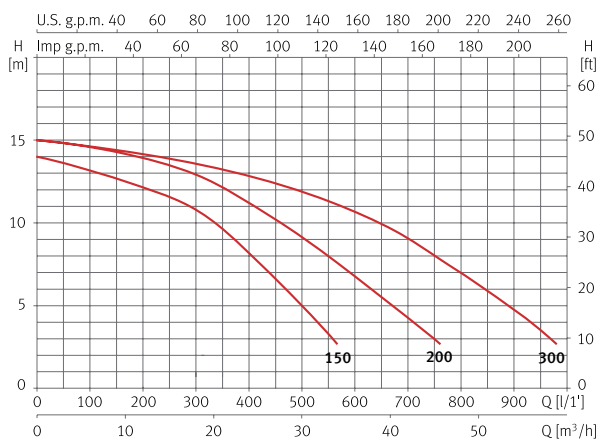
Maximum water temperature 50 °C.



Features table

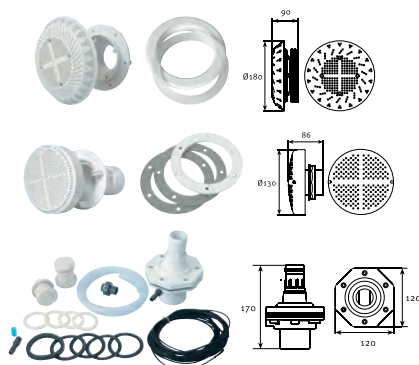
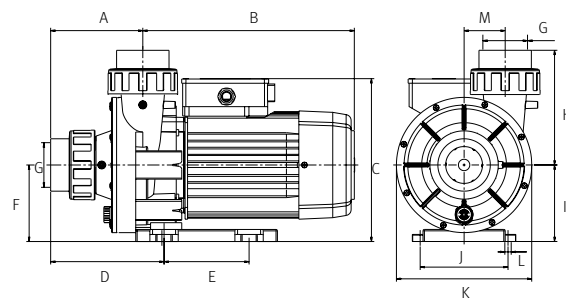
Model	I [A]			P1 [kW]		P2		c [μF]	l/min m³/h	50	100	200	300	400	500	600	900	Code	
	1~230V	3~230V	3~400V	1~	3~	[kW]	[HP]			3,0	6,0	12	18	24	30	36	54	1~230V	3~230V/400V
Wiper 3 150	6,4	5	2,9	1,4	1,1	1,1	1,5	25	mwc	13,3	13	12,1	10,8	8,2	5	-	-	203173	203176
Wiper 3 200	8,8	6,6	3,8	2	1,8	1,5	2	30		14,8	14,5	13,9	12,9	11,1	9,1	6,8	-	203174	203177
Wiper 3 300	11	7,1	4,1	2,5	2,4	2,2	3	60		14,8	14,5	14,1	13,5	12,8	11,9	10,7	4,7	203175	203178

Performance curve at 2900 rpm



Dimension and weight

Model	A	B	C	D	E	F	G	H	I	J	K	L	M	Kg
Wiper 3 150	130	299	230	160	120	108	63	162	108	124	191	9	29	14,3
Wiper 3 200	130	299	230	160	120	108	63	162	108	124	191	9	29	17
Wiper 3 300	130	299	230	160	120	108	63	162	108	124	191	9	29	18,8



Accessories	Code
Suction kit for liner pools	130634
Suction kit for concrete pools	130633
Discharge kit for liner and concrete pools	130632
Hose kit 1,5m	104153

