

## Submersible pump for waste water with solids in suspension, vortex system

### Applications

Evacuation, transfer and emptying of waste water with solids in suspension.

### Materials

Pump and impeller in cast iron.  
Pump shaft in AISI 420.  
Mechanical seal.  
O-rings in NBR/EPDM.

### Equipment

10m of cable without plug.

### Motor

Asynchronous 2 poles.  
IP68 protection.  
Continuous operation.  
Class F insulation.

### Limitations

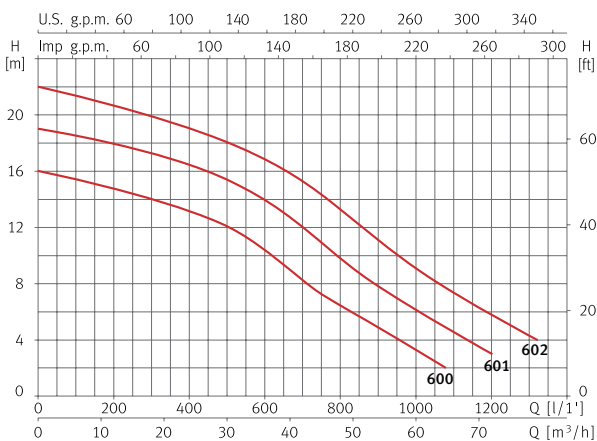
Maximum water temperature 40 °C.  
Maximum solids passage Ø 65mm.  
Maximum submersion 7m.



### Features table

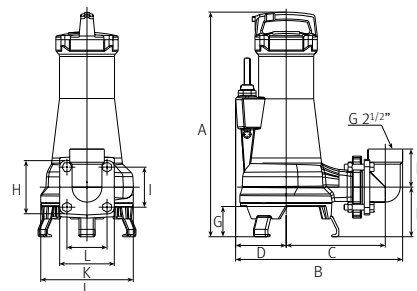
Model	I [A]	P1 [kW]	P2		l/min	200	400	600	800	1.000	1.200	1.300	Code
	3~ 400V	3~	[kW]	[HP]	m³/h	12	24	36	48	60	72	78	3~400V
Drainex 600	5,5	4,4	3,7	5	mwc	14,8	13,3	10,4	6,3	3,4	-	-	137508
Drainex 601	6,4	5,2	3,7	5		18	16,3	14	9,8	6	3,1	-	137505
Drainex 602	8,1	5,5	3,7	5		21	19	16,8	13,3	9	5,8	4,3	129730

### Performance curve at 2900 rpm



### Dimension and weight

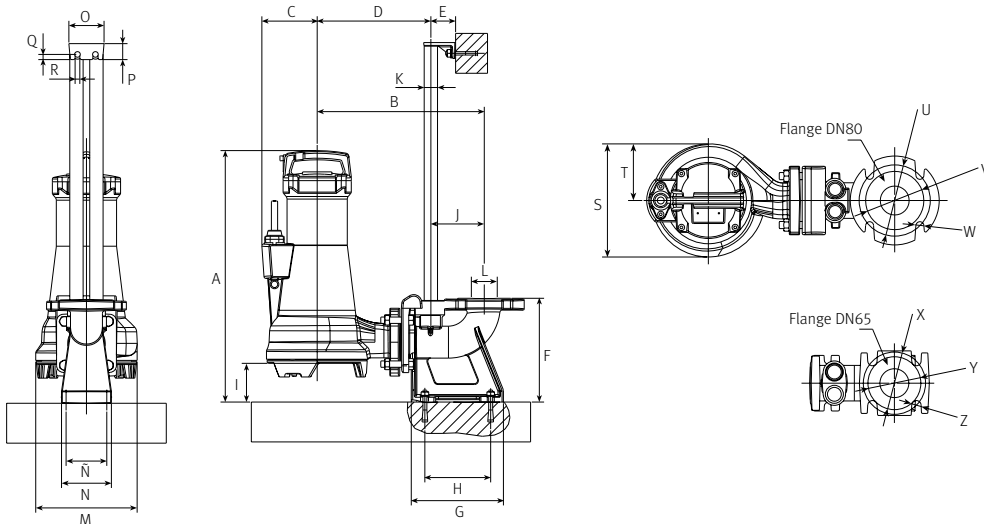
Model	A	B	C	D	E	F	G	H	I	J	K	L	Kg
Drainex 600	616	458	272	139	136	105	83	144	110	254	150	110	60
Drainex 601	616	458	272	139	136	105	83	144	110	254	150	110	60
Drainex 602	616	458	272	139	136	105	83	144	110	254	150	110	60



## Dimension stationary version

A	B	C	D	E	F	G	H	I	J	K	L	M
630	419	319	285	62	260	231	165	97	134	1"	Ø65	254

N	Ñ	O	P	Q	R	S	T	U	V	W	X	Y	Z
125	102	88	40	13	12	254	127	Ø60	Ø133	Ø18	Ø140	Ø120	Ø21



## Stationary installation kit for Drainex 600 / 601 / 602

DN65 (flange 65)



Support base with elbow for automatic anchoring

DIN 2501 PN16



Clamping flange

ANSI 150 2 1/2"



Upper anchoring on double guide tube

Kit	Code
DR4.2	207379

## Portable installation kit for Drainex 600 / 601 / 602



90° elbow at 2 1/2"



Stainless steel feet

Kit	Code
DR7	132140