

Submersible pump for waste water with solids in suspension, vortex system

Applications

Evacuation, transfer and emptying of waste water with solids in suspension.

Materials

Pump and impeller in cast iron.
Pump shaft in AISI 420.
Mechanical seal.
O-rings in NBR/EPDM.

Equipment

10m of cable without plug.

Motor

Asynchronous 2 poles.
IP68 protection.
Continuous operation.
Class F insulation.

Limitations

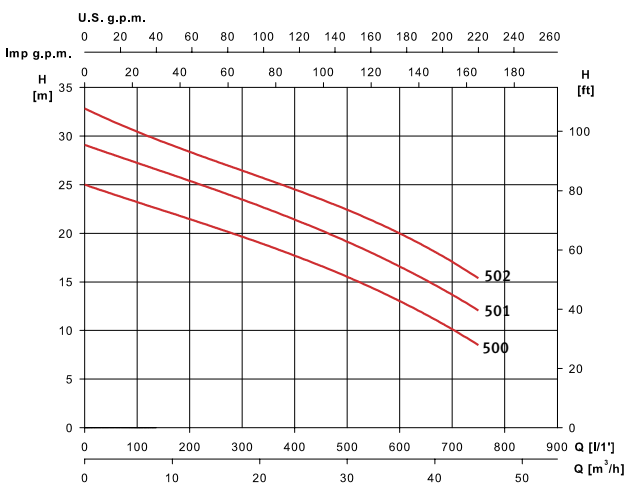
Maximum water temperature 40 °C.
Maximum solids passage Ø 45mm.
Maximum submersion 7m.



Features table

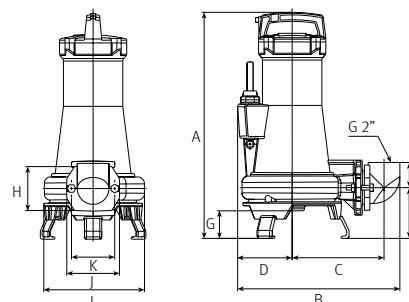
Model	I [A]	P1 [kW]	P2		l/min	100	300	400	500	600	750	Code
	3~400V	3~	[kW]	[HP]		m³/h	6,0	18	24	30	36	
Drainex 500	6,6	4,2	3,7	5	mwc	23,2	19,7	17,6	15,6	13	8,5	137507
Drainex 501	7,9	4,7	3,7	5		27,4	23,5	21,2	19,1	16,8	12	137504
Drainex 502	8,2	4,8	3,7	5		30,1	26,8	24,5	22,2	20	15,4	129726

Performance curve at 2900 rpm



Dimension and weight

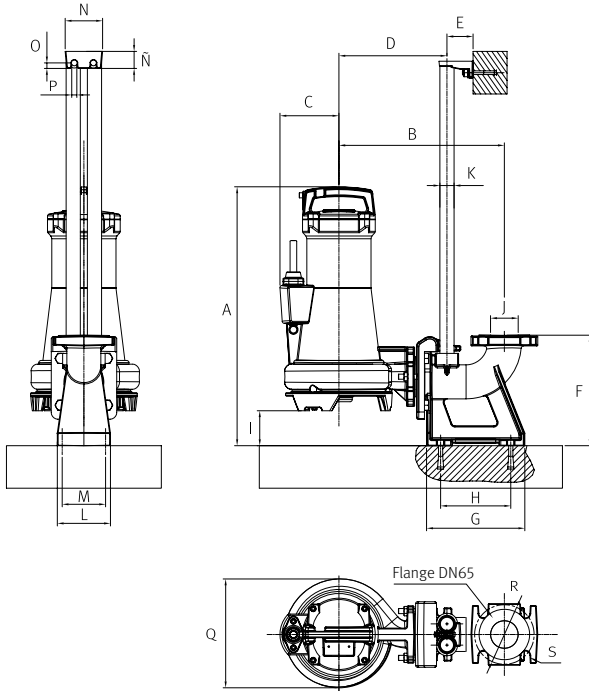
Model	A	B	C	D	E	F	G	H	I	J	K	Kg
Drainex 500	575	412	234	139	129	64	70	110	256	134	110	55
Drainex 501	575	412	234	139	129	64	70	110	256	134	110	55
Drainex 502	575	412	234	139	129	64	70	110	256	134	110	55



Dimension stationary version

A	B	C	D	E	F	G	H	I	J	K	L	M
609	389	139	254	62	260	231	165	82	Ø65	1"	125	102

N	Ñ	O	P	Q	R	S
88	40	13	12	256	Ø140	Ø21



Stationary installation kit for Drainex 500 / 501 / 502

DN65 (flange 65)

DIN 2501 PN16

ANSI 150 2"



Support base with elbow for automatic anchoring



Clamping flange



Upper anchoring on double guide tube

Kit	Code
DR3.2	207381

Portable installation kit for Drainex 500 / 501 / 502



90° elbow at 2"



Stainless steel feet

Kit	Code
DR6	132139