

## Submersible pump for waste water with solids in suspension, vortex system

### Applications

Evacuation, transfer and emptying of waste water with solids in suspension.

### Materials

Pump and impeller in cast iron.  
Pump shaft in AISI 420.  
Mechanical seal.  
O-rings in NBR/EPDM.

### Equipment

10m of cable without plug.

### Motor

Asynchronous 2 poles.  
IP68 protection.  
Continuous operation.  
Class F insulation.

### Limitations

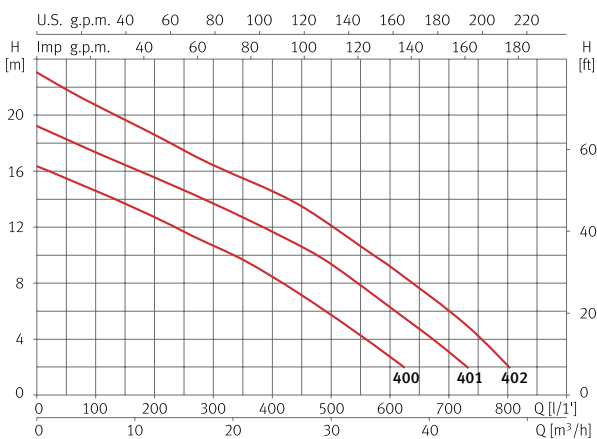
Maximum water temperature 40 °C.  
Maximum solids passage Ø 45mm.  
Maximum submersion 7m.



### Features table

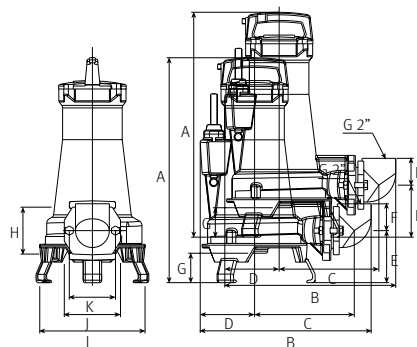
Model	I [A]	P1 [kW]	P2		l/min m³/h	100	200	400	500	600	700	800	Code
	3~400V	3~	[kW]	[HP]		6,0	12	24	30	36	42	48	
Drainex 400	4,1	2,8	2,6	3,5	mwc	14,6	12,7	8,3	5,9	2,8	-	-	137506
Drainex 401	4,8	3	2,6	3,5		17,3	15,5	11,6	9,3	5,2	3	-	137503
Drainex 402	5,6	3,2	2,6	3,5		20,7	18,6	13,7	12	9,3	5	2	129725

### Performance curve at 2900 rpm



### Dimension and weight

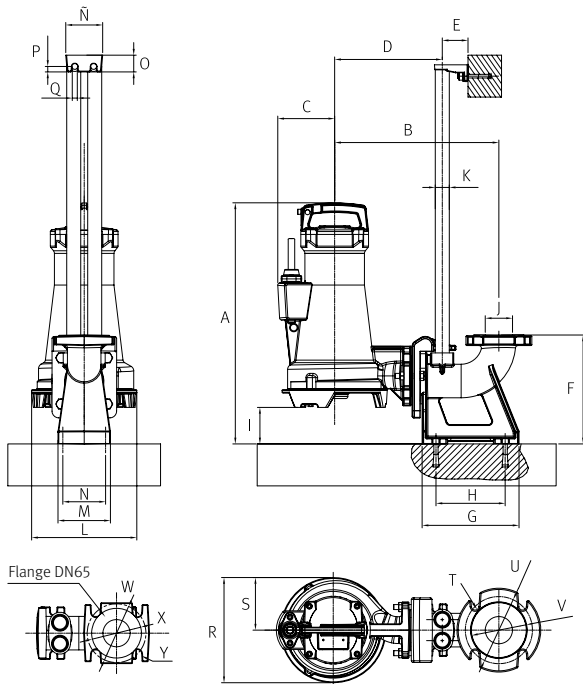
Model	A	B	C	D	E	F	G	H	I	J	K	Kg
Drainex 400	537	408	238	130	124	64	70	110	251	134	110	45
Drainex 401	537	408	238	130	124	64	70	110	251	134	110	45
Drainex 402	537	408	238	130	124	64	70	110	251	134	110	45



## Dimension stationary version

A	B	C	D	E	F	G	H	I	J	K	L	M
575	392	136	257	62	260	231	165	87	Ø65	1"	251	125

N	Ñ	O	P	Q	R	S	T	U	V	W	X	Y
102	88	40	13	12	251	125	Ø18	Ø160	Ø133	Ø140	Ø120	Ø21



## Stationary installation kit for Drainex 400 / 401 / 402

DN65 (flange 65)

DIN 2501 PN16

ANSI 150 2"



Support base with elbow for automatic anchoring



Clamping flange



Upper anchoring on double guide tube

Kit	Code
DR3.2	207381

## Portable installation kit for Drainex 400 / 401 / 402



90° elbow at 2"



Stainless steel feet

Kit	Code
DR6	132139