

Submersible pump for waste water with solids in suspension, vortex system

Applications

Evacuation, transfer and emptying of waste water with solids in suspension.

Materials

Pump and impeller in cast iron.
Pump shaft in AISI 420.
Mechanical seal.
O-rings in NBR/EPDM.

Equipment

90° elbow included.
Model MA with float switch and 10m of cable with plug type F.
Model M without float switch and 10m of cable with plug type F.
Model T without float switch and 10m of cable without plug.
Internal capacitor.

Motor

Asynchronous 2 poles.
IP68 protection.
Continuous operation.
Class F insulation.
Single phase motor with built-in thermal protection.

Limitations

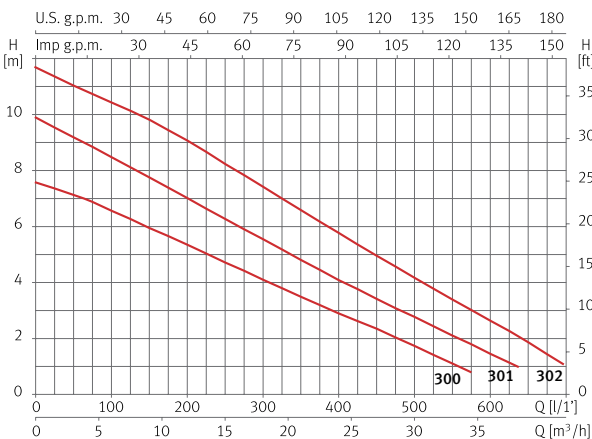
Maximum water temperature 40 °C..
Maximum solids passage Ø 65mm.
Maximum submersion 7m.



Features table

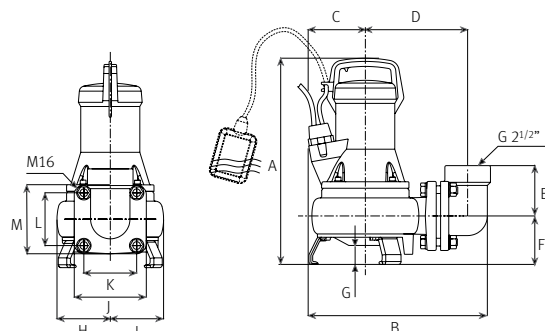
Model	I [A]		P1 [kW]		P2		c [µF]	l/ min m³/h	50	100	200	400	500	650	Code		
	1~230V	3~400V	1~	3~	[kW]	[HP]			3,0	6,0	12	24	30	39	1~230V (Model M)	1~230V (Model MA)	3~400V (Model T)
Drainex 300	5,5	2,4	1,2	1,2	1,1	1,5	16	mwc	7,1	6,6	5,4	2,9	1,8	-	96684	96686	96682
Drainex 301	6,8	2,7	1,5	1,5	1,1	1,5	16		9,2	8,5	7	4,1	2,8	-	96694	96696	96692
Drainex 302	7,8	3	1,8	1,8	1,1	1,5	16		11	10,5	9	5,8	4,2	1,8	96704	96706	96702

Performance curve at 2900 rpm



Dimension and weight

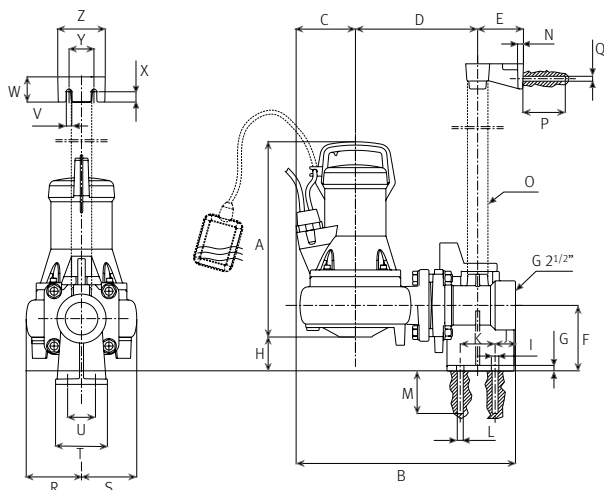
Model	A	B	C	D	E	F	G	H/I	J	K/L	M	Kg
Drainex 300	455	373	108	213	105	101	62	111	150	110	144	28
Drainex 301	455	373	108	213	105	101	62	111	150	110	144	28
Drainex 302	455	373	108	213	105	101	62	111	150	110	144	28



Dimension stationary version

A	B	C	D	E	F	G	H	I	J	K	L	M
405	441	108	246	92	132	12	75	15	38	70	Ø12	85

N	O	P	Q	R	S	T	U	V	W	X	Y	Z
12	Ø42	85	Ø10	111	111	104	56	11	51	21	50	95



Stationary installation kit for Drainex 300 / 301 / 302



Support base for automatic anchoring



Clamping flange



Upper anchoring on guide tube

Kit	Code
DR2	100528