

Submersible pump for waste water with solids in suspension, vortex system

Applications

Evacuation, transfer and emptying of waste water with solids in suspension.

Materials

Pump and impeller in cast iron.
Pump shaft in AISI 420.
Mechanical seal.
O-rings in NBR/EPDM.

Equipment

90° elbow included.
Model MA with float switch and 10m of cable with plug type F.
Model M without float switch and 10m of cable with plug type F.
Model T without float switch and 10m of cable without plug.
Internal capacitor.

Motor

Asynchronous 2 poles.
IP68 protection.
Continuous operation.
Class F insulation.
Single phase motor with built-in thermal protection.

Limitations

Maximum water temperature 40 °C.
Maximum solids passage Ø 45mm.
Maximum submersion 7m.



Model MA

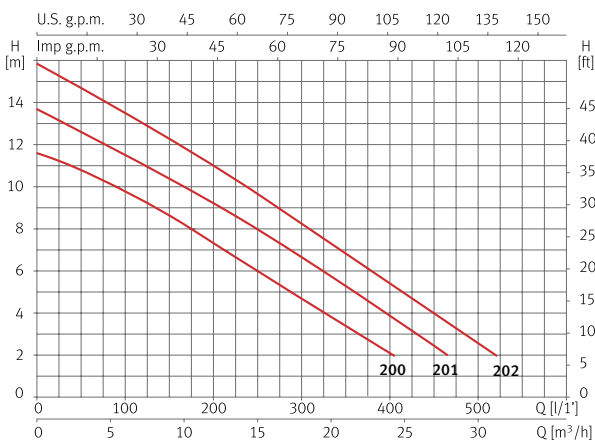


Model M/T

Features table

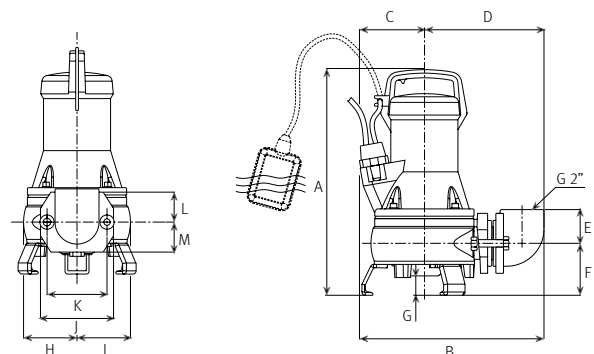
Model	I [A]		P1 [kW]		P2		c [µF]	l/min	50	100	200	300	400	500	Code		
	1~230V	3~400V	1~	3~	[kW]	[HP]			m³/h	3,0	6,0	12	18	24	30	1~230V (Model M)	1~230V (Model MA)
Drainex 200	5,4	2,3	1,3	1,3	1,1	1,5	16	mwc	10,7	9,7	7,4	4,9	2,3	-	96652	96654	96648
Drainex 201	6,6	2,6	1,4	1,4	1,1	1,5	16		13,2	11,9	9,4	6,7	3,8	-	96664	96666	96662
Drainex 202	7,4	2,8	1,6	1,6	1,1	1,5	16		15,1	13,8	11,3	8,5	5,6	2,5	96674	96676	96672

Performance curve at 2900 rpm



Dimension and weight

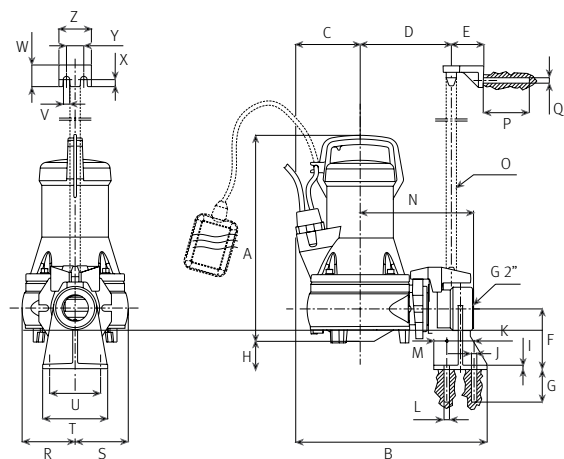
Model	A	B	C/K	D	E	F	G	H/I	J	L/M	Kg
Drainex 200	437	338	110	219	62	95	49	98	134	55	25
Drainex 201	437	338	110	219	62	95	49	98	134	55	25
Drainex 202	437	338	110	219	62	95	49	98	134	55	25



Dimension stationary version

A	B	C	D	E	F	G	H	I	J	K	L	M
388	353	110	168	60	112	60	52	8	12	51	Ø10	24

N	O	P	Q	R	S	T	U	V	W	X	Y	Z
209	Ø25	85	Ø10	98	98	120	94	12	40	13	32	60



Stationary installation kit for Drainex 200 / 201 / 202



Support base for automatic anchoring



Clamping flange



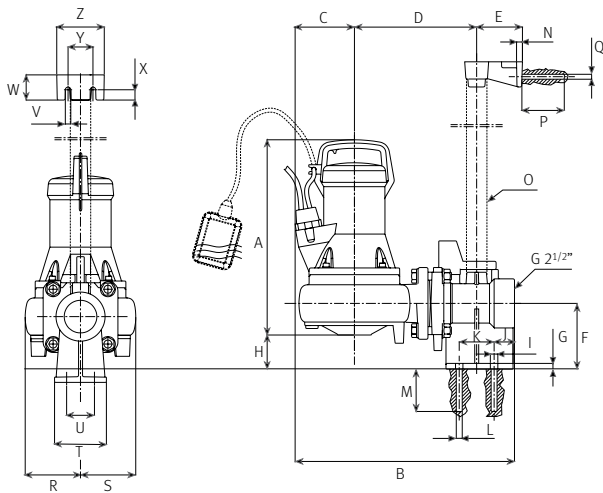
Upper anchoring on guide tube

Kit	Code
DR1	100527

Dimension stationary version

A	B	C	D	E	F	G	H	I	J	K	L	M
405	441	108	246	92	132	12	75	15	38	70	Ø12	85

N	O	P	Q	R	S	T	U	V	W	X	Y	Z
12	Ø42	85	Ø10	111	111	104	56	11	51	21	50	95



Stationary installation kit for Drainex 300 / 301 / 302



Support base for automatic anchoring



Clamping flange



Upper anchoring on guide tube

Kit	Code
DR2	100528